



NC DEPARTMENT OF  
**INSURANCE**  
OFFICE OF STATE FIRE MARSHAL



The North Carolina Codes contain copyrighted material owned by the International Code Council (ICC). To find out more about ICC, please visit [www.iccsafe.org](http://www.iccsafe.org).

# It's All About Access

## Accessibility:

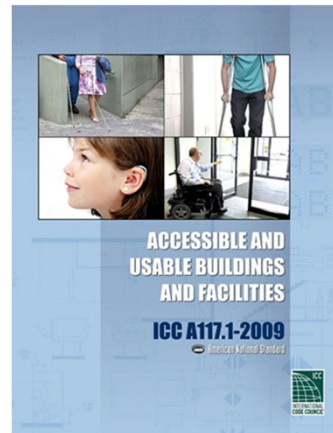
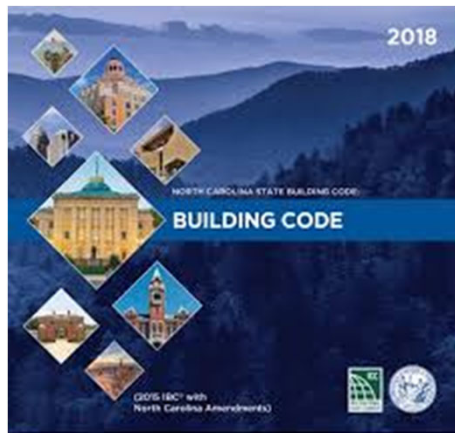
Current & Upcoming Code Requirements for  
Parks, Trails, Playgrounds & Picnic Areas

Presented by Tara Barthelmess – Chief Accessibility Code Consultant  
Office of State Fire Marshal



This presentation is based on the 2018 and proposed 2024 North Carolina Building Code and does not address possible federal ADA requirements which may apply, as **my authority ends with the NC codes**;

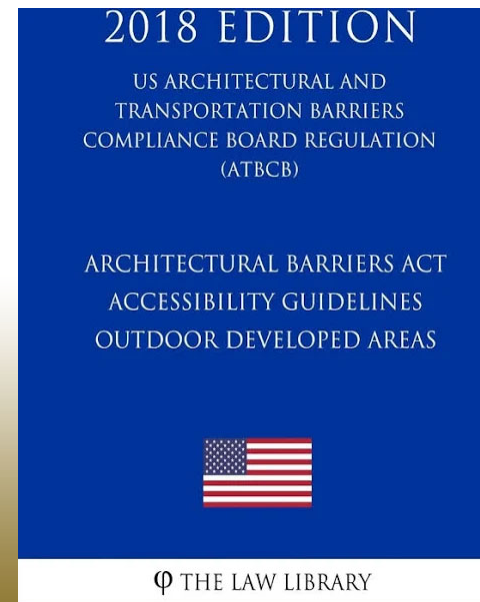
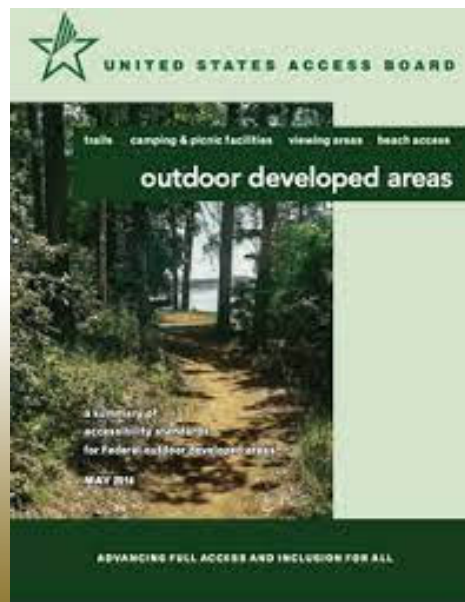
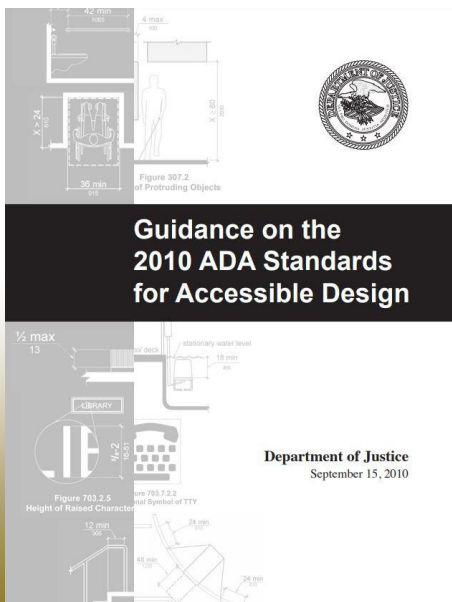
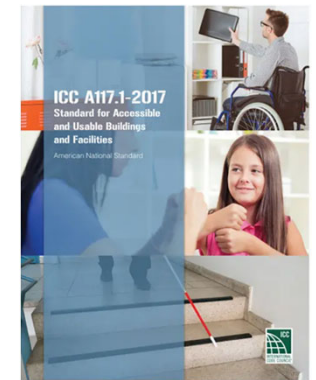
It is the responsibility of the permit holder and owner to comply with any federal requirements per the 2010 ADA Standards.



## NCBC Chapter 11 Accessibility

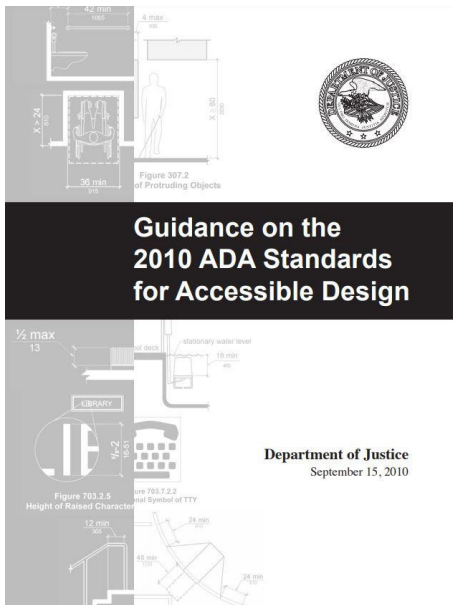
ICC A117.1 – 2009

ICC A117.1 – 2017



Federal Requirements



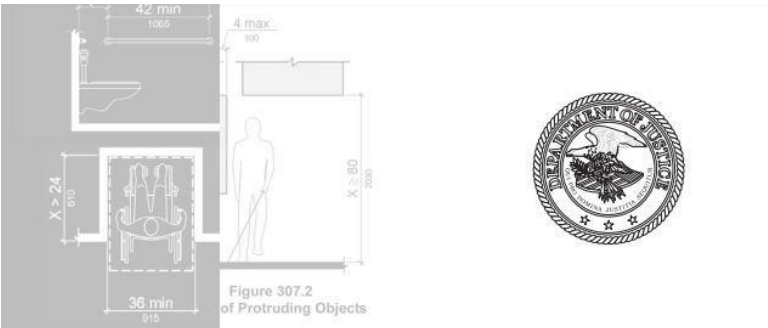


The Department of Justice published revised regulations for Titles II and III of the Americans with Disabilities Act of 1990 ADA in the *Federal Register* on September 15, 2010. These regulations adopted revised, enforceable accessibility standards called the 2010 ADA Standards for Accessible Design.

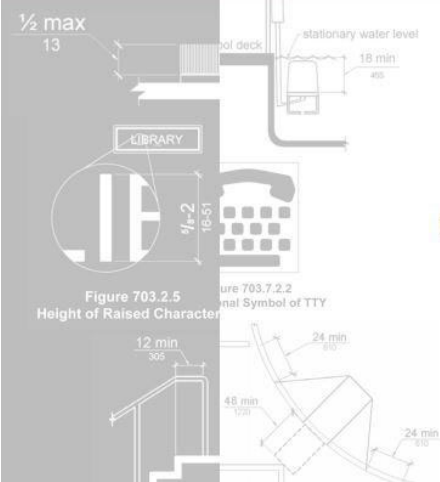
The 2010 Standards set minimum requirements – both scoping and technical – for newly designed and constructed or altered state and local government facilities (title II) and places of public accommodation and commercial facilities (title III) to be readily accessible to and usable by individuals with disabilities.

The 2010 standards set minimum requirements for:

- Newly constructed buildings and facilities
- Alterations—such as, renovations and other changes that affect usability—made to buildings and facilities
- Making architectural changes in existing state and local government buildings to provide “program access”
- Removing “architectural barriers” that are easily accomplishable without much difficulty or expense in existing buildings of businesses



**Guidance on the 2010 ADA Standards for Accessible Design**



Department of Justice  
September 15, 2010

Recreational Facilities:

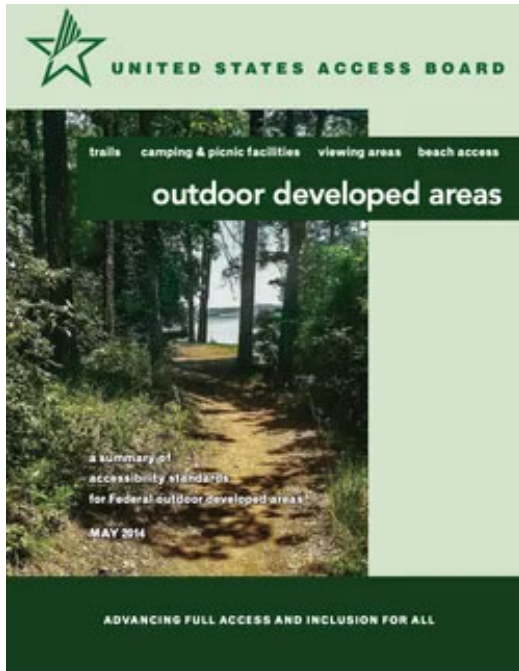
- 1001 General
- 1002 Amusement Rides
- 1003 Recreational Boating Facilities
- 1004 Exercise Machines and Equipment
- 1005 Fishing Piers and Platforms
- 1006 Golf Facilities
- 1007 Miniature Golf Facilities
- 1008 Play Areas
- 1009 Swimming Pools, Wading Pools, and Spas
- 1010 Shooting Facilities with Firing Positions

**Playgrounds have had federal accessibility requirements –**

**Now NC has the same requirements.**

**Trails & Picnic Areas  
are not addressed**



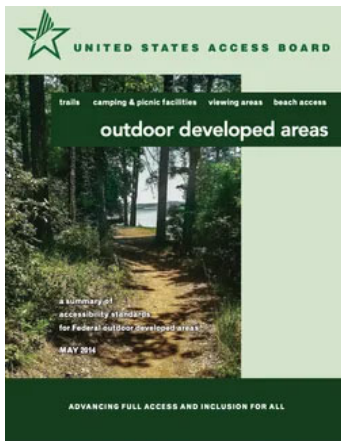


The Access Board is responsible for developing accessibility guidelines for the construction and alteration of facilities covered by the Americans with Disabilities Act (ADA) of 1990 and the Architectural Barriers Act (ABA) of 1968. The guidelines ensure that the facilities are readily accessible to and usable by people with disabilities.

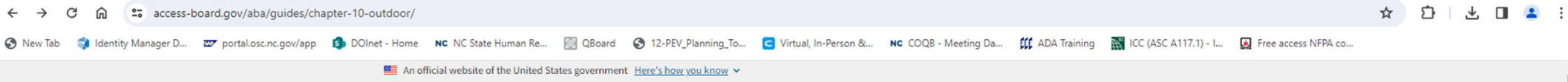
The Access Board issued the current guidelines in 2004. The 2004 guidelines contain provisions for several types of **recreation facilities**, including boating facilities, fishing piers and platforms, golf facilities, **play areas**, sports facilities, and swimming pools.

The Access Board amended the 2004 guidelines in **2013** by adding new provisions for **trails, picnic** and camping facilities, **viewing areas**, and beach access routes constructed or altered by **Federal agencies** or by non-federal entities on **Federal land** on behalf of a Federal agency pursuant to a concession contract, partnership agreement, or similar arrangement.

**State and local governments and private entities may, however, use the provisions for guidance when designing trails, picnic and camping facilities, viewing areas, and beach access routes.**



# Where to find this document: Google search – Outdoor Developed Areas



**Notice**  
The Public Right-of-Way Accessibility Guidelines (PROWAG) rulemaking has concluded. The PROWAG final rule has been published in the Federal Register. Please visit the Access Board's PROWAG page for the guidelines.



En Español

- About
- News
- Advancing Access
- Guidelines & Standards
- Services
- File an ABA Complaint
- Contact Us

## Guide to the ABA Accessibility Standards

### TABLE OF CONTENTS

- About the ABA guide
- Animations
- Chapter 1: Using the ABA Standards
- Chapter 2: New Construction
- Chapter 2: Alterations and Additions
- Chapter 3: Floor and Ground Surfaces
- Chapter 3: Clear Floor or Ground Space and Turning Space
- Chapter 3: Operable Parts
- Chapter 3: Protruding Objects
- Chapter 4: Accessible Routes

### Introduction

The Access Board is responsible for developing accessibility guidelines for the construction and alteration of facilities covered by the Americans with Disabilities Act (ADA) of 1990 and the Architectural Barriers Act (ABA) of 1968. The guidelines ensure that the facilities are readily accessible to and usable by people with disabilities. The Access Board issued the current guidelines in 2004. The 2004 guidelines contain provisions for several types of recreation facilities, including boating facilities, fishing piers and platforms, golf facilities, play areas, sports facilities, and swimming pools. The Access Board amended the 2004 guidelines in 2013 by adding new provisions for trails, picnic and camping facilities, viewing areas, and beach access routes constructed or altered by Federal agencies or by non-federal entities on Federal land on behalf of a Federal agency pursuant to a concession contract, partnership agreement, or similar arrangement.

PDF



View ABA Standards



Technical Assistance

Contact the Access Board for guidance on these standards

202-272-0080 (voice)  
[ta@access-board.gov](mailto:ta@access-board.gov)



## The Architectural Barriers Act (ABA) of 1968

The ABA stands as the first measure by Congress to ensure access to the built environment for people with disabilities. The law requires that buildings or facilities that were designed, built, or altered with **federal dollars** or leased by **federal agencies** after August 12, 1968 be accessible. Facilities that predate the law generally are not covered, but alterations or leases undertaken after the law took effect can trigger coverage.

The law covers a wide range of facilities, including U.S. post offices, Veterans Affairs medical facilities, national parks, Social Security Administration offices, federal office buildings, U.S. courthouses, and federal prisons. It also applies to non-government facilities that have **received federal funding**, such as certain schools, public housing, and mass transit systems.

The standards indicate where access is required and provide detailed specifications for ramps, parking, doors, elevators, restrooms, assistive listening systems, fire alarms, signs, and other accessible building elements. Facilities covered by the ABA must meet these standards.

The Architectural Barriers Act (ABA) of 1968, as amended, stipulates that all buildings which are (1) **financed with Federal funds**, and (2) intended for use by **the public**, or which may result in **employment or residence** therein of physically handicapped persons, be designed and constructed in accordance with standards prescribed by the ABA to ensure that such buildings are fully accessible to and usable by handicapped individuals.

# Parks, Trails, Playgrounds & Picnic Areas

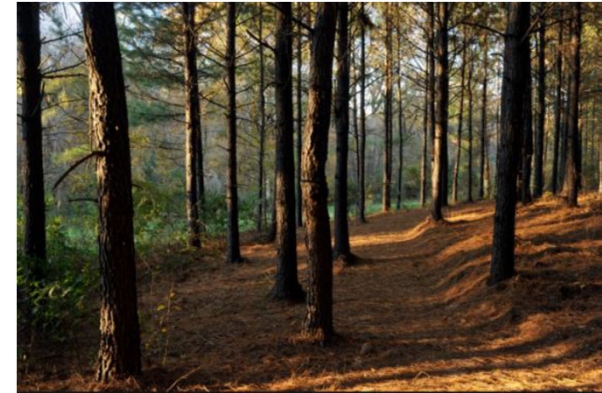
## What standards are enforceable in NC?

Trails used for recreational purposes, such as hiking, are not specifically addressed by the 2010 DOJ ADA Standards.

However, they are addressed by the Architectural Barriers Act Accessibility Standards, issued by the General Services Administration and the Department of Defense (see §F247 and §1017).

The ABA Standards are based on the Access Board's Outdoor Recreation Accessibility Guidelines, which cover outdoor constructed features, including picnic tables and fire rings, trails, camping, and beach access.

Currently, these standards apply only on Federal lands, not on private lands or state and local lands, and are enforceable only under the Architectural Barriers Act by way of a complaint to the Access Board.





# NC Building Code

## CHAPTER 11 ACCESSIBILITY

### SECTION 1101

#### GENERAL

##### 1101.1 Scope.

The provisions of this chapter shall control the design and construction of facilities for accessibility for individuals with disabilities.

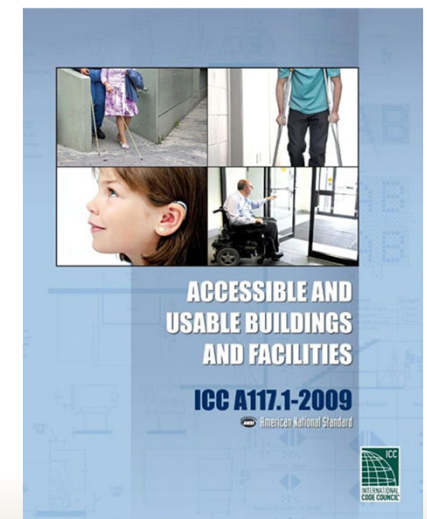
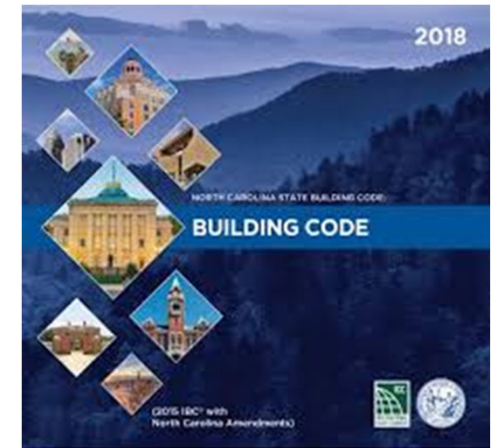
##### 1101.2 Design.

Buildings and facilities shall be designed and constructed to be accessible in accordance with this code and ICC A117.1.

### SECTION 1103

#### SCOPING REQUIREMENTS

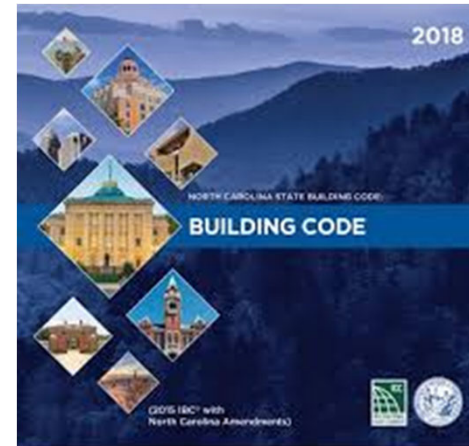
**1103.1 Where required.** *Sites, buildings, structures, facilities, elements and spaces, temporary or permanent, shall be **accessible** to individuals with disabilities.*



# NC Building Code

- Two sets of criteria that must be addressed:

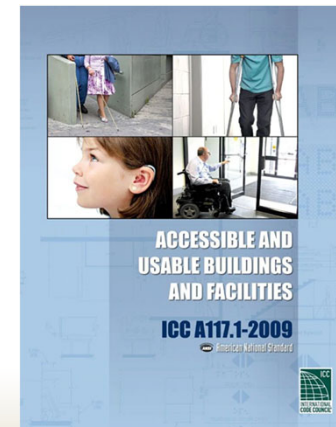
- Scoping
  - What, Where, and How Many?
  - North Carolina Building Code



As per Section 1101.2 Design:

Buildings and facilities shall be designed and constructed to be accessible in accordance with this code and ICC A117.1.

- Technical
  - How?
  - ICC/ANSI A117.1-2009



# NC Building Code

## SECTION 1102 COMPLIANCE

**1102.1 Design.** Buildings and facilities shall be designed and constructed to be *accessible* in accordance with this code and ICC A117.1.

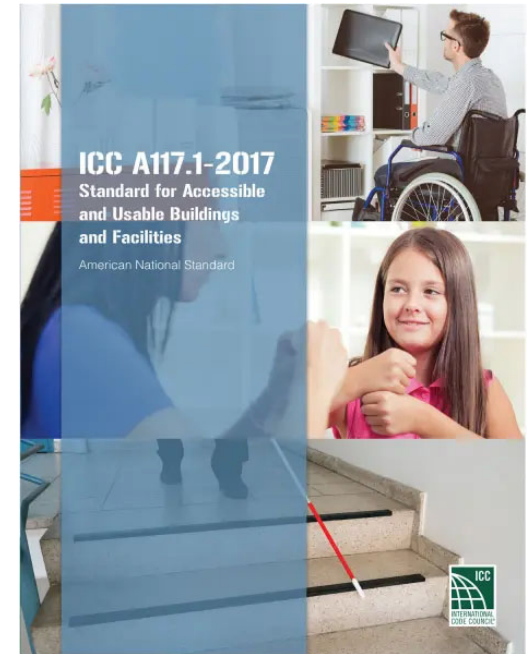
## CHAPTER 35 REFERENCED STANDARDS

ICC A117.1—17

**2024 NCBC**

**Accessible and Usable Buildings and Facilities**

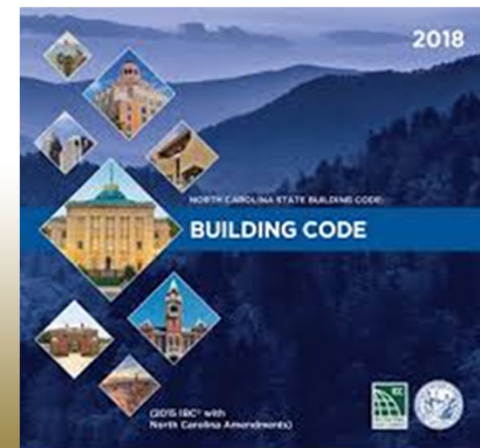
202, 907.5.2.3.3, 1009.8.2, 1009.9, 1009.11, 1010.2.13.1, 1012.1, 1012.6.5, 1012.10, 1013.4, 1023.9, 1102.1, 1108.2, 1110.1, 1110.2, 1110.5.1, 1110.5.2, 1112.3, 1112.4, 1112.5, 1112.5.2, 1207.1



# Private or State Property – NCBC

## Picnic Areas

**1103.1 Where required.**  
*Sites, buildings, structures, facilities, elements and spaces, temporary or permanent, shall be accessible to individuals with disabilities.*



## Picnic Tables [1011.2 and 1011.4]

The number of wheelchair spaces that must be provided at each table is based on the usable table surface perimeter. At least one wheelchair seating space a minimum of 30 by 48 inches must be provided for each 24 linear feet of usable space around the perimeter of a tabletop. Practically speaking, this means that one space is usually required for tables up to 9 feet long. Tables between 10 and 20 feet long usually require two wheelchair spaces (figure 17). More spaces are required for longer tables.

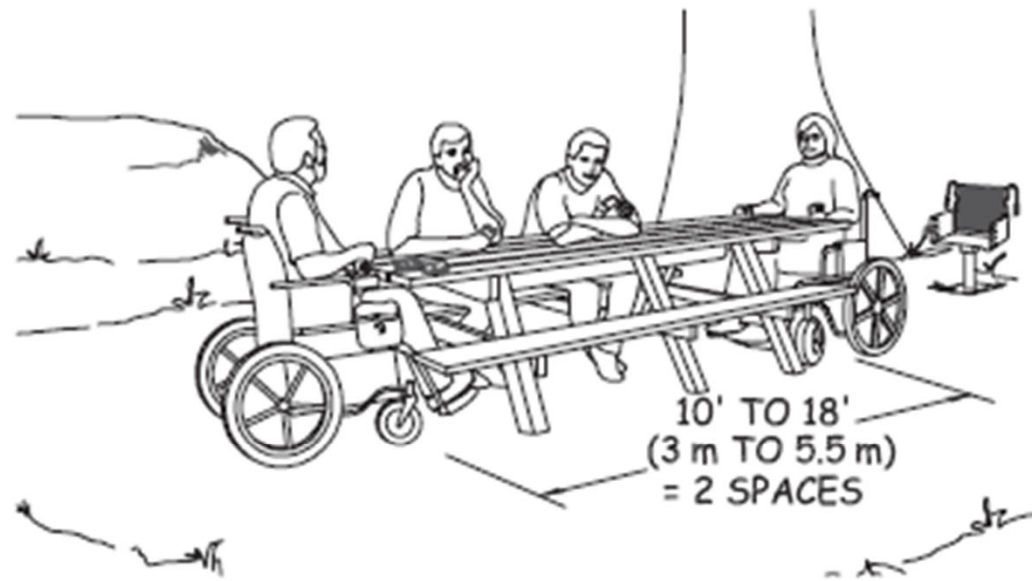
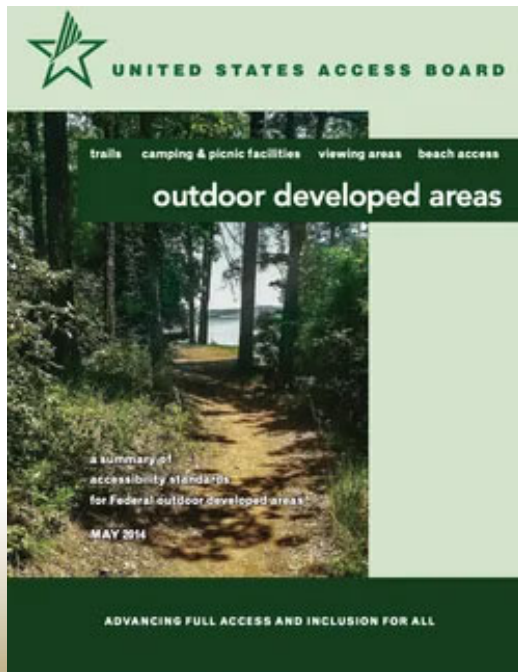


Figure 17—At least two spaces must be accessible at a 10- to 18-foot long picnic table.

The wheelchair space must be positioned for a forward approach and provide knee and toe clearance under the table that complies with section 306 of the ABA Standards. Knee clearance must be at least 30 inches wide and 8 inches deep at 27 inches above the ground surface. Toe clearance must be at least 30 inches wide and 17 inches deep and extend at least 9 inches above the ground surface (figure 18). Knee and toe clearance are required to ensure that a person using a mobility device can sit close to a tabletop, regardless of the table's design. If a table is constructed with one solid leg on each end, as opposed to an A-shaped frame or two individual legs on each end of the table that would allow the wheelchair to fit between, the toes of a person using a mobility device could hit the table leg.

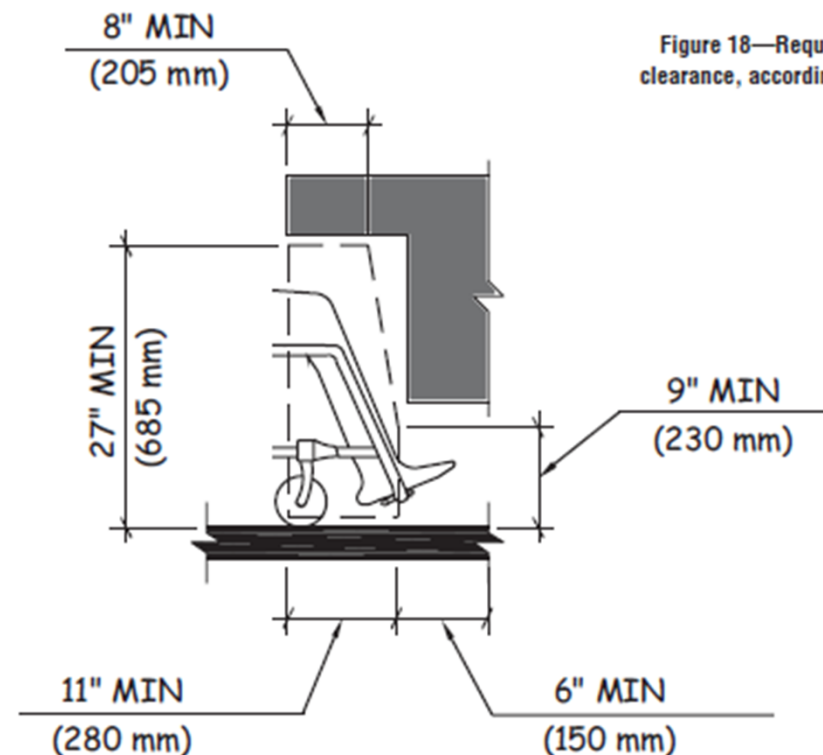
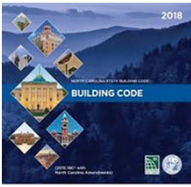


Figure 18—Required knee and toe clearance, according to section 306.3.



# Private or State Property – NCBC

## Parks, Trails, Playgrounds & Picnic Areas

### 2024 NCBC section

#### Section 1104 ACCESSIBLE ROUTE

**1104.1 Site arrival points.** At least one *accessible* route within the *site* shall be provided from public transportation stops, accessible parking, accessible passenger loading zones, and public streets or sidewalks to the accessible building entrance served.

**Exception:** Other than in buildings or *facilities* containing or serving *Type B units*, an *accessible route* shall not be required between *site* arrival points and the building or *facility* entrance if the only means of access between them is a vehicular way not providing for pedestrian access.

### 2018 NCBC section

**1104.1 Site arrival points.** At least one *accessible route* within the *site* shall be provided from public transportation stops, *accessible* parking, *accessible* passenger loading zones, and public streets or sidewalks to the *accessible* building entrance served. The clear width of the exterior accessible path of travel shall be 48 inches (1220 mm) minimum. Where handrails are provided, the width measurement shall be between the handrails.



### Clingmans Dome Observation Tower Trail



Covered in  
ICC A117.1-2017



# ICC A117.1 – 2009 & 2017

## CHAPTER 4 ACCESSIBLE ROUTE

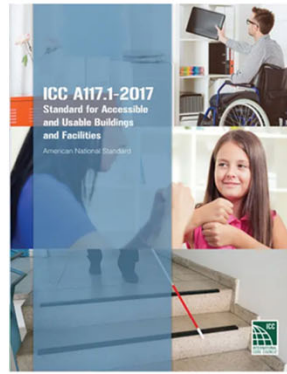
### SECTION 401 GENERAL

**401.1 Scope.** Accessible routes required by the scoping provisions adopted by the administrative authority shall comply with the applicable provisions of Chapter 4.

### SECTION 402 ACCESSIBLE ROUTES

**402.1 General.** Accessible routes shall comply with Section 402.

**402.2 Components.** Accessible routes shall consist of one or more of the following components: walking surfaces with a running slope not steeper than 1:20, doors and doorways, gates, ramps, curb ramps excluding the flared sides, blended transitions, elevators and platform lifts. All components of an accessible route shall comply with the applicable portions of this standard.



(a) WALKS



(d) CURB RAMPS



(b) ENTRANCES



(e) ELEVATORS



(c) RAMPS



(f) PLATFORM LIFTS

Figure C402.2  
ACCESSIBLE ROUTE COMPONENTS



# ICC A117.1 – 2009 & 2017



## CHAPTER 4 ACCESSIBLE ROUTE

### SECTION 403 WALKING SURFACES

**403.1 General.** Walking surfaces that are a part of an accessible route shall comply with Section 403.

**403.2 Floor surface.** Floor surfaces shall comply with Section 302.

### SECTION 302 FLOOR SURFACES

**302.1 General.** Floor surfaces shall be stable, firm, and slip resistant, and shall comply with Section 302. Changes in level in floor surfaces shall comply with Section 303.



A stable surface is one that remains unchanged by contaminants or applied force.

A firm surface resists deformation by either indentation or particles moving on its surface.

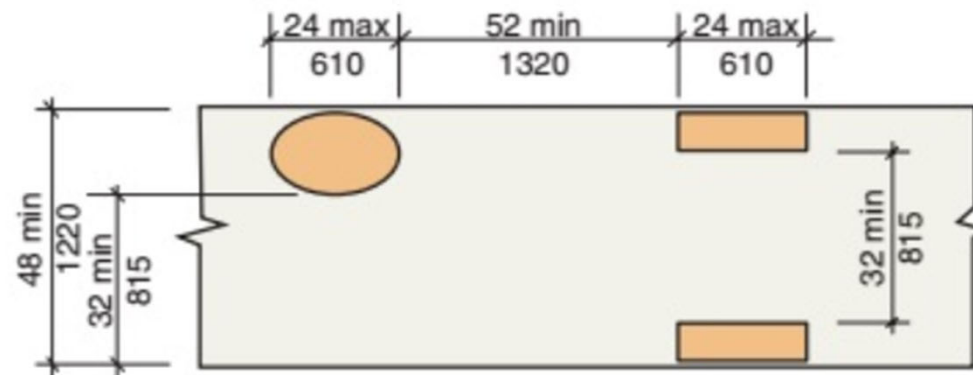
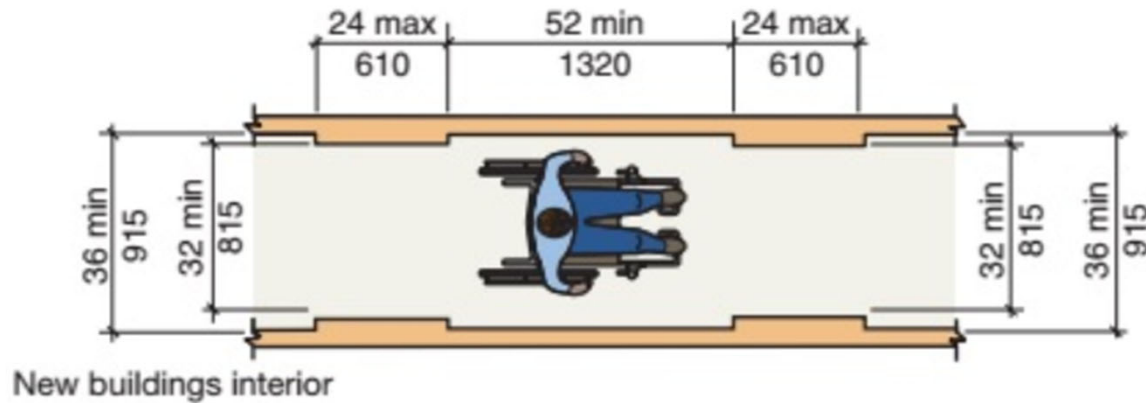
It is not the intent of the standard to require only paved surfaces; however, any other types would need to be evaluated.

# ICC A117.1 - 2017



## SECTION 403 WALKING SURFACES

**403.5.1 General.** The clear width of an interior accessible route shall be 36 inches (915 mm) minimum. The clear width of an **exterior accessible route** shall be **48** inches (1220 mm) minimum.



Accessible route  
in Play Areas

See Section  
1008.4.1.1.1

# 2018 & 2024 North Carolina Building Codes

## RECREATIONAL FACILITIES

**1110.1 General.** Recreational facilities shall be provided with *accessible* features in accordance with Sections 1110.2 through 1110.4.

### **1110.2 – Residential**

**1110.3 Other occupancies.** Recreational facilities not falling

within the purview of Section 1110.2 shall be accessible.

**1110.4 Recreational facilities.** Recreational facilities shall be accessible and shall be on an accessible route to the extent specified in this section.

**1110.4.1 Area of sport activity.** Each area of sport activity shall be on an accessible route and shall not be required to be accessible except as provided for in Sections 1110.4.2 through 1110.4.14.

## 2018 NCBC

1110.4.2 Team or player seating

1110.4.3 Bowling lanes

1110.4.4 Court sports

1110.4.5 Raised rings

1110.4.6 Raised refereeing, judging  
& scoring areas

1110.4.7 Animal entertainment areas

1110.4.8 Amusement rides

1110.4.9 Recreational boating

1110.4.10 Exercise equipment

1110.4.11 Fishing piers & platforms

1110.4.12 Miniature golf facilities

1110.4.13 Swimming pools

1110.4.14 Shooting facilities

## 2024 NCBC

1111.4.13 Play areas



# 2024 North Carolina Codes



**NEW**  
**content!**

## SECTION 1111 RECREATIONAL FACILITIES



**1111.4.13 Play areas.** Play areas containing play components designed and constructed for children shall be located on an *accessible route*.

ICC A117.1-2017 includes technical criteria for **how many** and **which pieces** of playground equipment must be accessible. This is a percentage of the total play components provided and includes dispersment dependent on the types provided. This requirement for an accessible route would be applicable to both interior and exterior playgrounds.

This is not a requirement for an accessible route to all items on a playground, but rather to the accessible components and entry points required in ICC A117.1-2017.

For example, elevated play components that are connected may be accessed from the ground by one ramp or one set of transfer steps.

# 2024 North Carolina Codes

## SECTION 1111 RECREATIONAL FACILITIES

**1111.4.13 Play areas.** Play areas containing play components designed and constructed for children shall be located on an *accessible route*.



# 2024 NCBC & ICC A117.1 - 2017



## SECTION 1008 PLAY AREAS

**NEW to NC – not  
NEW to ICC**

**1008.1 Scope.** Play areas shall comply with 1008.

**1008.2 Accessible routes for play areas.** Play areas shall provide accessible routes in accordance with Section 1008.2. Accessible routes serving play areas shall comply with Chapter 4 except as modified by Section 1008.4.

**1008.2.1 Ground level and elevated play components.** At least one accessible route shall be provided within the play area. The accessible route shall connect ground level play components required to comply with Section 1008.3.2.1 and elevated play components required to comply with Section 1008.3.2.2, including entry and exit points of the play components.

**1008.2.2 Soft contained play structures.** Where three or fewer entry points are provided for soft contained play structures, at least one entry point shall be on an accessible route. Where four or more entry points are provided for soft contained play structures, at least two entry points shall be on an accessible route.



# 2024 NCBC & ICC A117.1 - 2017



## SECTION 1008 PLAY AREAS

**NEW to NC – not  
NEW to ICC**

**1008.3 Age groups.** Play areas for children ages 2 and over shall comply with Section 1008.3. Where separate play areas are provided within a site for specific age groups, each play area shall comply with Section 1008.3.

Exceptions:

1. Play areas located in family child care facilities where the proprietor actually resides shall not be required to comply with this section.
2. In existing play areas, where play components are relocated for the purposes of creating safe use zones and the ground surface is not altered or extended for more than one use zone, the play area shall not be required to comply with this section.
3. Amusement attractions shall not be required to comply with this section.
4. Where play components are altered and the ground surface is not altered, the ground surface shall not be required to comply with Section 1008.4.1.6 unless required by the authority having jurisdiction.



# 2024 NCBC & ICC A117.1 - 2017

NEW to NC – not  
NEW to ICC

## SECTION 1008 PLAY AREAS



**1008.3.2 Play components.** Where provided, play components shall comply with Section 1008.3.2.

**1008.3.2.1 Ground level play components.** Ground level play components shall be provided in the number and types required by Section 1008.3.2.1. Ground level play components that are provided to comply with Section 1008.3.2.1.1 shall be permitted to satisfy the additional number required by Section 1008.3.2.1.2 if the minimum required types of play components are satisfied. Where two or more required ground level play components are provided, they shall be **dispersed** throughout the play area and **integrated** with other play components.



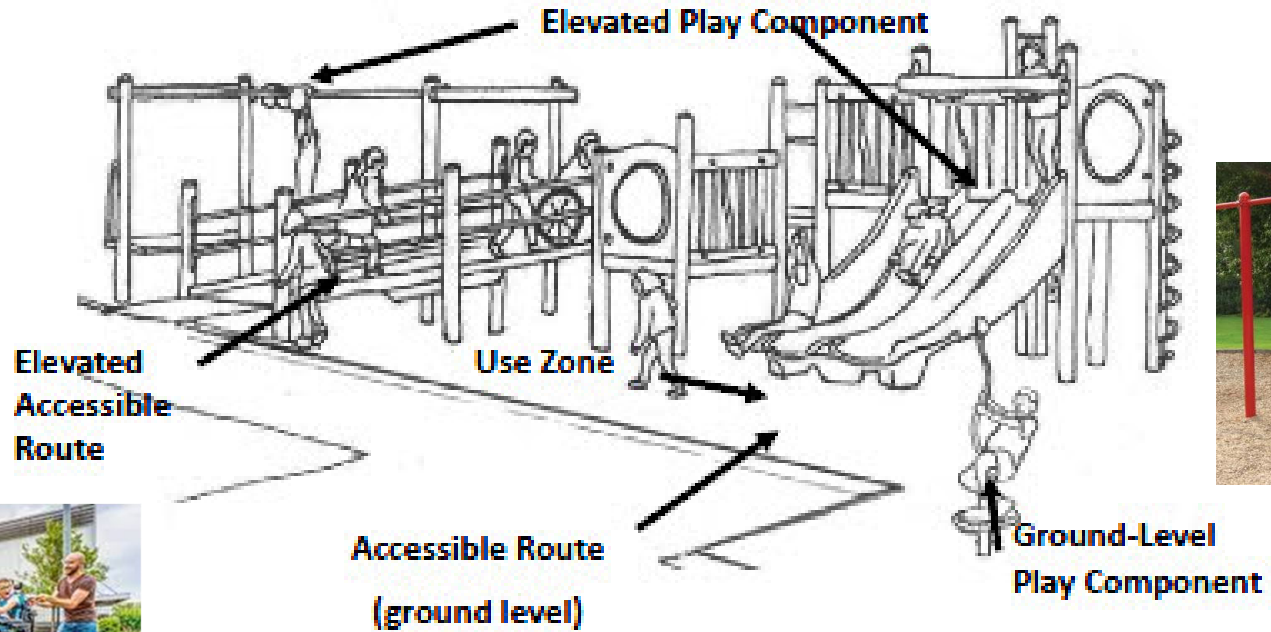
**1008.3.2.1.1 Minimum number and types.** Where ground level play components are provided, **at least one of each type** shall be on an accessible route and shall comply with Section 1008.4.3.

**1008.3.2.1.2 Additional number and types.** Where elevated play components are provided, ground level play components shall be provided in accordance with **Table 1008.3.2.1.2** and shall comply with Section 1008.4.3.

**Exception:** If at least 50 percent of the elevated play components are connected by a ramp and at least 3 of the elevated play components connected by the ramp are different types of play components, the play area shall not be required to comply with this section.

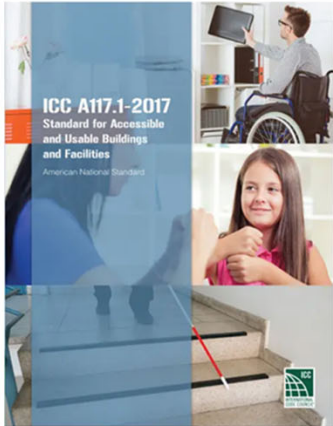


# 2024 NCBC & ICC A117.1 - 2017



# 2024 NCBC & ICC A117.1 - 2017

NEW to NC – not  
NEW to ICC



## SECTION 1008 PLAY AREAS

**1008.3.2.2 Elevated play components.** Where elevated play components are provided, **at least 50 percent** shall be on an accessible route and shall comply with Section 1008.4.3.

TABLE 1008.3.2.1.2

NUMBER AND TYPES OF GROUND LEVEL PLAY COMPONENTS REQUIRED TO BE ON ACCESSIBLE ROUTES

Number of Elevated Play Components Provided	Minimum Number of Ground Level Play Components Required to be on an Accessible Route	Minimum Number of Different Types of Ground Level Play Components Required to be on an Accessible Route
1	Not applicable	Not applicable
2 to 4	1	1
5 to 7	2	2
8 to 10	3	3
11 to 13	4	3
14 to 16	5	3
17 to 19	6	3
20 to 22	7	4
23 to 25	8	4
26 and over	8, plus 1 for each additional 3, or fraction thereof, over 25	5

# 2024 NCBC & ICC A117.1 - 2017



## SECTION 1008

### PLAY AREAS

**1008.4 Accessible routes within play areas.** Accessible routes within play areas shall comply with Section 1008.4.

**1008.4.1 Accessible routes.** Accessible routes serving play areas shall comply with Chapter 4 and Section 1008.4.1. Where accessible routes serve ground level play components, the vertical clearance shall be 80 inches (2030 mm) minimum in height.



# 2024 NCBC & ICC A117.1 - 2017



## 1008.4.1 Accessible routes.

### Exceptions:

1. Where 20 or more elevated play components are provided, transfer systems complying with Section 1008.4.2 shall be permitted to be used as part of an accessible route for a maximum of 25 percent of the play components.
2. Where fewer than 20 elevated play components are provided, transfer systems complying with Section 1008.4.2 shall be permitted to be used as part of an accessible route.
3. Where transfer systems are provided, an elevated play component shall be permitted to connect to another elevated play component as part of an accessible route.
4. Accessible routes serving soft contained play structures shall be permitted to use transfer systems complying with Section 1008.4.2 as part of an accessible route.
5. Where the surface of the accessible route, clear floor spaces, or turning spaces serving water play components is submerged, complying with Sections 302, 403.3, 405.2, 405.3 and 1008.4.1.6 shall not be required.
6. Accessible routes serving water play components shall be permitted to use transfer systems complying with Section 1008.4.2 to connect elevated play components in water.

# 2024 NCBC & ICC A117.1 - 2017



## SECTION 1008

### PLAY AREAS

#### 1008.4 Accessible routes within play areas.

##### 1008.4.1 Accessible routes.

**1008.4.1.1 Clear width.** Accessible routes connecting play components shall provide a clear width complying with Section 1008.4.1.1.

**1008.4.1.1.1 Ground level.** At ground level, the clear width of accessible routes shall be **60 inches** (1525 mm) minimum.

##### Exceptions:

1. In play areas **less than 1000 square feet** (93 m<sup>2</sup>), the clear width of accessible routes shall be permitted to be **44 inches** (1120 mm) minimum, if at least one turning space complying with Section 304.3 is provided where the restricted accessible route exceeds 30 feet (9145 mm) in length.

2. The clear width of accessible routes shall be permitted to be 36 inches (915 mm) minimum for a distance of 60 inches (1525 mm) maximum provided that multiple reduced width segments are separated by segments that are 60 inches (1525 mm) minimum in width and 60 inches (1525 mm) minimum in length.



# 2024 NCBC & ICC A117.1 - 2017

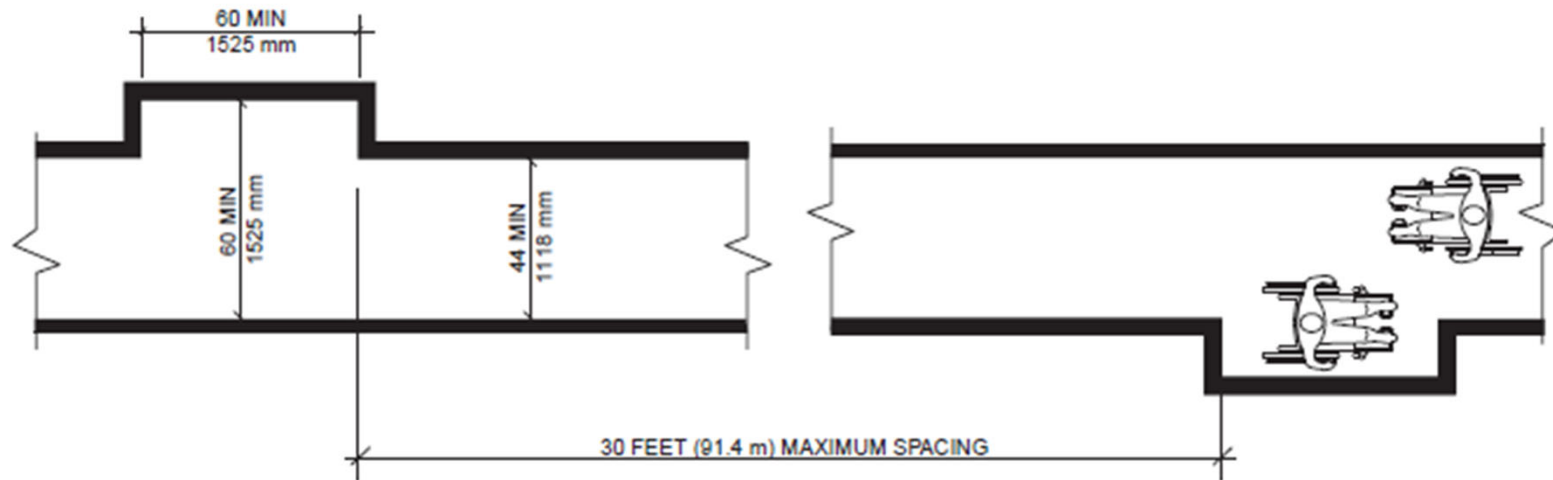


Figure C1008.4.1.1(a)

EXCEPTION 1 - CLEAR WIDTH OF AN ACCESSIBLE ROUTE IN PLAY AREAS LESS THAN 1000 SQUARE FEET

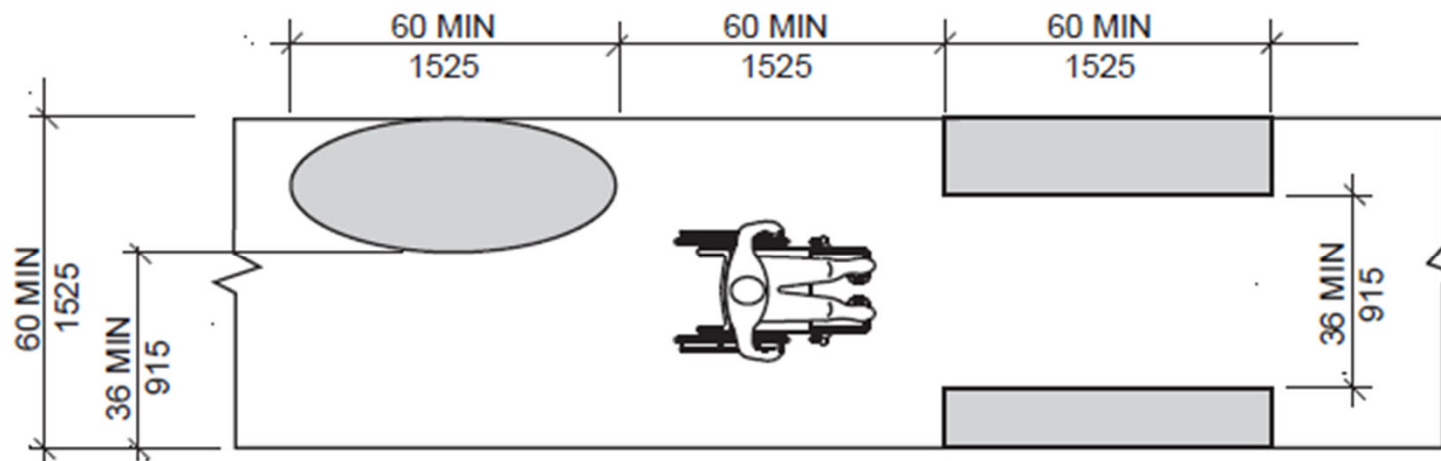


Figure C1008.4.1.1(b)

EXCEPTION 2 - CLEAR WIDTH OF AN ACCESSIBLE ROUTE IN PLAY AREAS AT GROUND LEVEL

# 2024 NCBC & ICC A117.1 - 2017

## SECTION 1008 PLAY AREAS

### 1008.4 Accessible routes within play areas.

**1008.4.1.1.2 Elevated.** The clear width of accessible routes connecting elevated play components shall be 36 inches minimum.

#### Exceptions:

1. The clear width of accessible routes connecting elevated play components shall be permitted to be reduced to 32 inches minimum for a distance of 24 inches maximum provided that reduced width segments are separated by segments that are 48 inches minimum in length and 36 inches minimum in width.
2. The clear width of transfer systems connecting elevated play components shall be permitted to be 24 inches minimum.

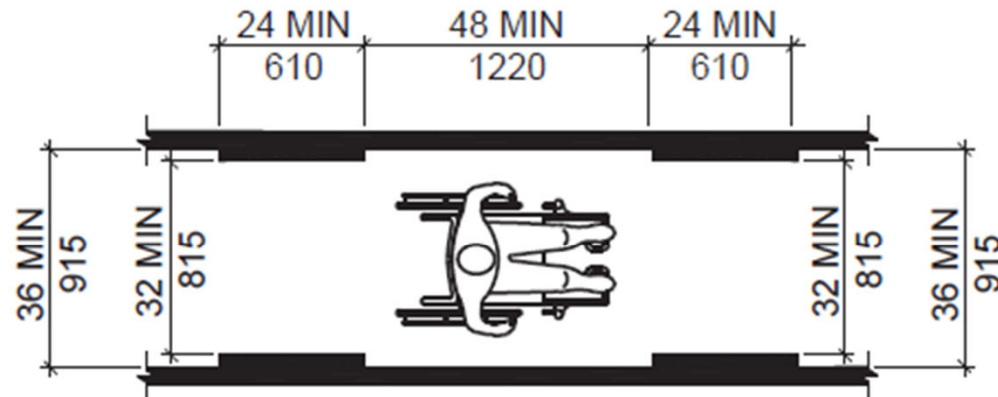


Figure C1008.4.1.1.2

EXCEPTION 1 - CLEAR WIDTH OF AN ACCESSIBLE ROUTE IN ELEVATED PLAY AREAS



# 2024 NCBC & ICC A117.1 - 2017

## SECTION 1008 PLAY AREAS

### 1008.4 Accessible routes within play areas.

**1008.4.1.2 Ramps.** Within play areas, ramps connecting ground level play components and ramps connecting elevated play components shall comply with Section 405 except as modified by Section 1008.4.1.2.

**1108.4.1.2.1 Ground level.** Ramp runs connecting ground level play components shall have a running slope not steeper than 1:16.

**1008.4.1.2.2 Elevated.** The rise for any ramp run connecting elevated play components shall be 12 inches (305 mm) maximum.



**1008.4.1.2.3 Handrails.** Where required on ramps serving play components, the handrails shall comply with Section 505 except as modified by Section 1008.4.1.2.3.

### Exceptions:

1. Handrails shall not be required on ramps located within ground level use zones.
2. Handrail extensions shall not be required.





# 2024 NCBC & ICC A117.1 - 2017

## SECTION 1008 PLAY AREAS

### 1008.4 Accessible routes within play areas.

**1008.4.1.3.1 Surface condition.** Ground surfaces shall be stable, firm and slip resistant. Ground surfaces shall be inspected and maintained regularly and frequently to ensure continued compliance with this requirement.

**1008.4.2 Transfer systems.** Where transfer systems are provided to connect to elevated play components, the transfer systems shall comply with Section 1008.4.2.

#### 1008.4.2.1 Transfer platforms

##### 1008.4.2.1.1 Size

##### 1008.4.2.1.2 Height

##### 1008.4.2.1.3 Transfer space

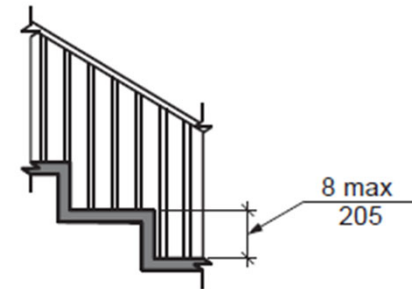
##### 1008.4.2.1.4 Transfer supports

#### 1008.4.2.2 Transfer steps

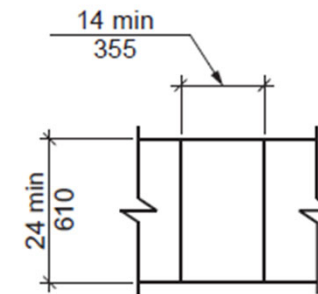
##### 1008.4.2.2.1 Size

##### 1008.4.2.2.2 Height

##### 1008.4.2.2.3 Transfer supports



(A)



(B)

FIGURE 1008.4.2.2  
TRANSFER STEPS

# 2024 NCBC & ICC A117.1 - 2017

## SECTION 1008 PLAY AREAS

### 1008.4 Accessible routes within play areas.

#### 1008.4.2 Transfer systems.

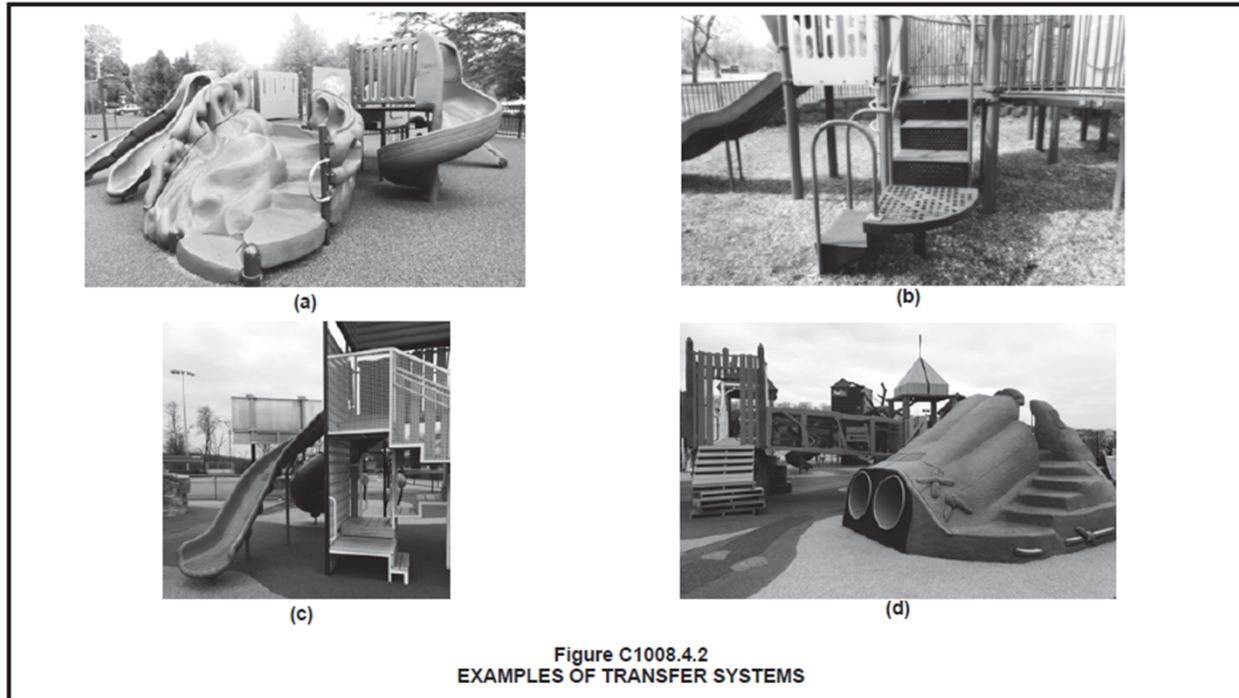


Figure C1008.4.2  
EXAMPLES OF TRANSFER SYSTEMS

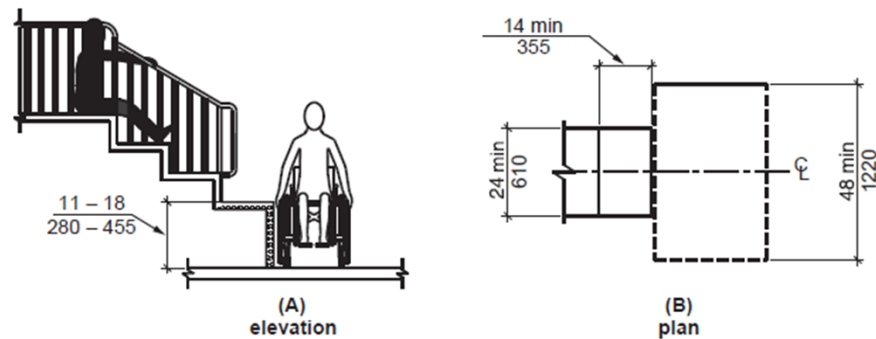


FIGURE 1008.4.2.1  
TRANSFER PLATFORMS

# 2024 NCBC & ICC A117.1 - 2017

## SECTION 1008 PLAY AREAS

### 1008.4 Accessible routes within play areas.

**1008.4.3 Play components.** Ground level play components on accessible routes and elevated play components connected by ramps shall comply with Section 1008.4.3.

**1008.4.3.1 Turning space.** At least one turning space shall be provided on the same level as play components. Where swings are provided, the turning space shall be located immediately adjacent to the swing.

**1008.4.3.2 Clear floor space.** Clear floor space complying with Sections 305.2 and 305.3 shall be provided at play components.

**1008.4.3.3 Play tables.** Where play tables are provided, knee clearance 24 inches minimum in height, 17 inches minimum in depth, and 30 inches minimum in width shall be provided. The tops of rims, curbs, or other obstructions shall be 31 inches maximum in height.



Figure C1008.4.3.1  
ACCESS TO SWINGS

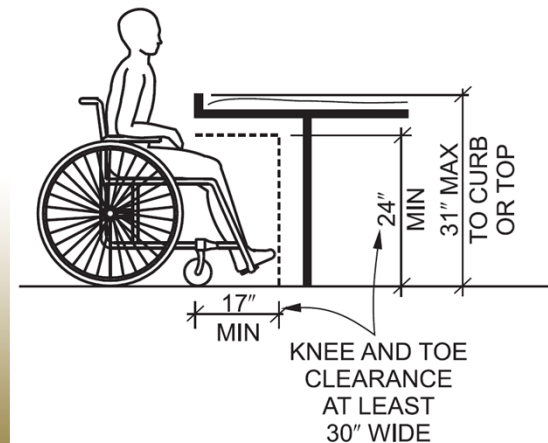


Figure C1008.4.3.3  
PLAY TABLES

# 2024 NCBC & ICC A117.1 - 2017



## SECTION 304

### TURNING SPACE

**304.1 General.** A turning space shall comply with Section 304.

#### 304.3.1 Circular space.

**304.3.1.1 New buildings and facilities.** In new buildings and facilities, the turning space shall be a circular space with a **67-inch** minimum diameter.

**304.3.1.1.1 Overlap.** Turning spaces shall be permitted to include knee and toe complying with Section 306. Where the turning space includes knee and toe clearances under an obstruction, the overlap shall comply with all of the following:

1. The depth of the overlap shall not be more than 10 inches, and
2. The depth shall not exceed the depth of the knee and toe clearances provided, and
3. The overlap shall be permitted only within the turning circle area shown shaded in Figure 304.3.1.

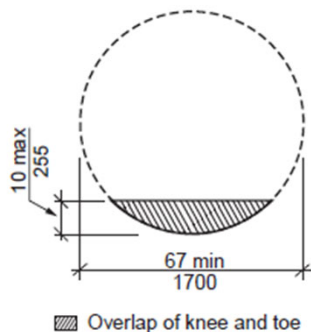
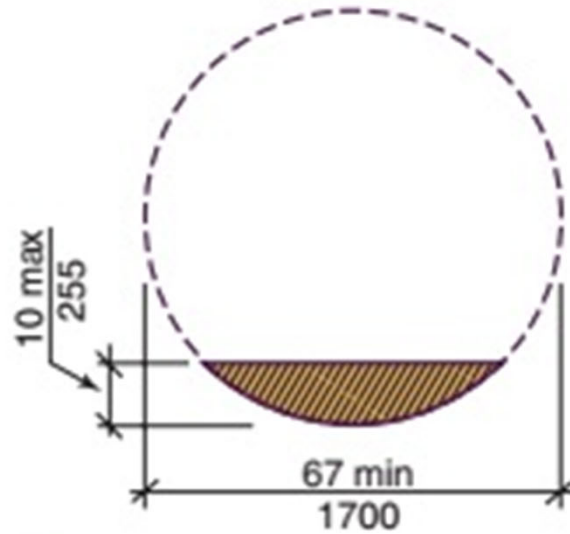


FIGURE 304.3.1.1  
CIRCULAR TURNING SPACE - NEW BUILDINGS  
SIZE AND OVERLAP

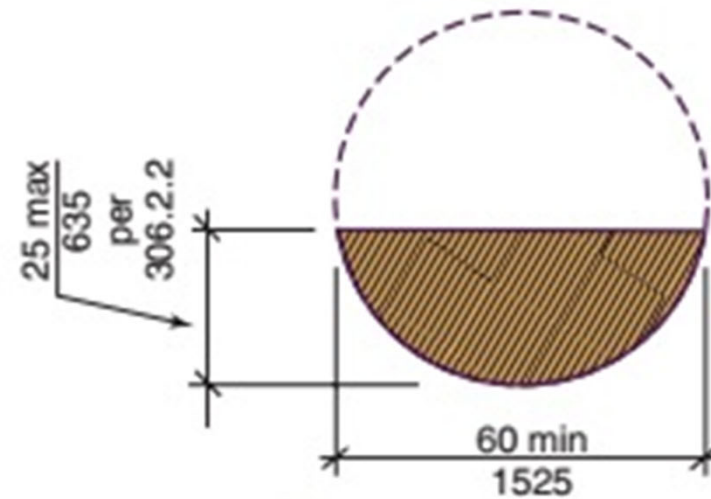
# 2024 NCBC & ICC A117.1 - 2017



## SECTION 304 TURNING SPACE



Overlap of knee and toe clearance  
New – 67"



Overlap of knee and toe clearance  
Existing and Previous – 60"

# 2024 NCBC & ICC A117.1 - 2017



## SECTION 305

### CLEAR FLOOR SPACE

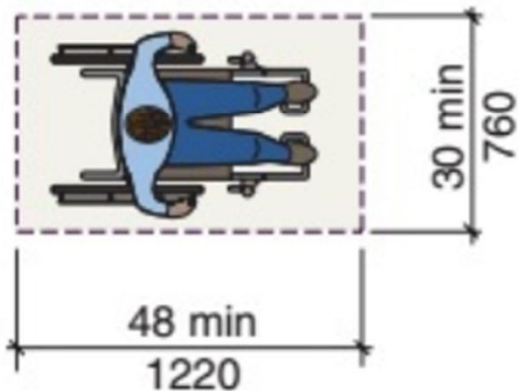
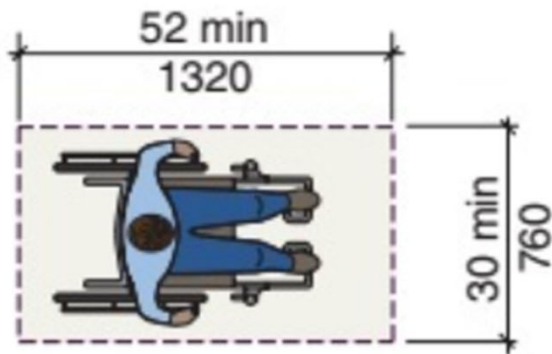
**305.1 General.** A clear floor space shall comply with Section 305.

**305.2 Floor surfaces.** Floor surfaces of a clear floor space shall comply with Section 302. Changes in level shall not be permitted within the clear floor space.

**Exception:** Slopes not steeper than 1:48 shall be permitted.

### 305.3 Size.

**305.3.1 New buildings and facilities.** In new buildings and facilities, the clear floor space shall be 52 inches (1320 mm) minimum in length and 30 inches (760 mm) minimum in width.



**Why????**

**Larger Full Range Mobility Devices**

# 2018 NCBC

## SECTION 1109 OTHER FEATURES AND FACILITIES

**1109.5 Drinking fountains.** Where drinking fountains are provided on an exterior site, on a floor or within a secured area, the drinking fountains shall be provided in accordance with Sections 1109.5.1 and 1109.5.2.

**1109.5.1 Minimum number.** No fewer than two drinking fountains shall be provided. One drinking fountain shall comply with the requirements for people who use a wheelchair and one drinking fountain shall comply with the requirements for standing persons.



# 2024 NCBC & ICC A117.1 - 2017

## SECTION 1110 OTHER FEATURES AND FACILITIES

**1110.6 Bottle-filling stations.** Where bottle-filling stations are provided, they shall be *accessible*.

**Exception:** Bottle-filling stations over drinking fountains for standing persons are not required to be accessible, provided that bottle-filling stations are also located over the drinking fountains for persons using wheelchairs.

**NEW  
content!**





# 2024 NCBC & ICC A117.1 - 2017



## SECTION 602

### DRINKING FOUNTAINS AND BOTTLE FILLING STATIONS

**602.4 Bottle filling stations.** Bottle filling stations shall comply with Sections 602.4.1 and 602.4.2.

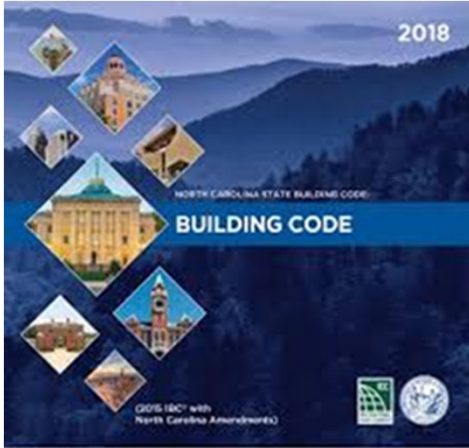
**Exception:** Where bottle filling stations are part of the drinking fountain for persons who are standing, the bottle filling station is not required to comply with this section provided a bottle filling station is located at the drinking fountain for persons using wheelchairs.

**602.4.1 Clear floor space.** A clear floor space positioned for a forward or side approach shall be provided.

**602.4.2 Controls.** Controls for bottle filling stations shall be hand operated or automatic. Hand operated controls shall comply with Section 309.



# 2024 NCBC



## 1106.1 Required.

Where parking is provided, accessible parking spaces shall be provided in compliance with Table 1106.1, except as required by Sections 1106.2 through 1106.4. Where more than one parking facility is provided on a site, the number of parking spaces required to be accessible shall be calculated separately for each parking facility.



TABLE 1106.1  
ACCESSIBLE PARKING SPACES

TOTAL PARKING SPACES PROVIDED	REQUIRED MINIMUM NUMBER OF ACCESSIBLE SPACES
1 to 25	1
26 to 50	2
51 to 75	3
76 to 100	4
101 to 150	5
151 to 200	6
201 to 300	7
301 to 400	8
401 to 500	9
501 to 1,000	2% of total
1,001 and over	20, plus one for each 100, or fraction thereof, over 1,000

# 2024 NCBC & ICC A117.1 - 2017



## SECTION 502

### PARKING SPACES

**502.11 Electrical vehicle charging stations.** An electrical vehicle charging station serving a parking space shall comply with Section 502.11.

**502.11.1 Operable parts.** Operable parts on the charging station intended for operation by the user, including card readers, shall comply with Section 309.

## SECTION 309

### OPERABLE PARTS

**309.1 General.** Operable parts shall comply with Section 309.

**309.2 Clear floor space.** A clear floor space complying with Section 305 shall be provided.

**309.3 Height.** Operable parts shall be placed within one or more of the reach ranges specified in Section 308.

**309.4 Operation.** Operable parts shall be operable with one hand and shall not require tight grasping, pinching, or twisting of the wrist. The force required to activate operable parts shall be 5.0 pounds (22.2 N) maximum.

# 2024 NCBC & ICC A117.1 - 2017



## SECTION 502 PARKING SPACES

**502.11.2 Accessible route.** An accessible route shall be provided from the **access aisle adjacent to the parking space** to the clear floor space complying with Section 502.11.1 adjacent to the vehicle charging station. When the vehicle is being charged, the accessible route shall not be obstructed by the cable between the car and charging station.



Figure 1. Accessible public charging station at the Durham County Main Library, Durham, NC.

**502.11.3 Obstructions.** Protection bollards, curbs or wheel stops shall be located so that they do not obstruct the clear floor space required by Section 502.11.1 or the accessible route required by Section 502.11.2.



NC DEPARTMENT OF  
**INSURANCE**  
OFFICE OF STATE FIRE MARSHAL



The North Carolina Codes contain copyrighted material owned by the International Code Council (ICC). To find out more about ICC, please visit [www.iccsafe.org](http://www.iccsafe.org).

# It's All About Access

## Accessibility:

Current & Upcoming Code Requirements for  
Parks, Trails, Playgrounds & Picnic Areas



Presented by Tara Barthelmess – Chief Accessibility Code Consultant

[Tara.Barthelmess@ncdoi.gov](mailto:Tara.Barthelmess@ncdoi.gov)

919-647-0014

